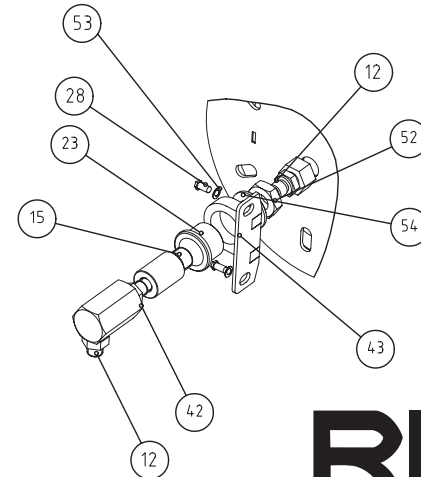
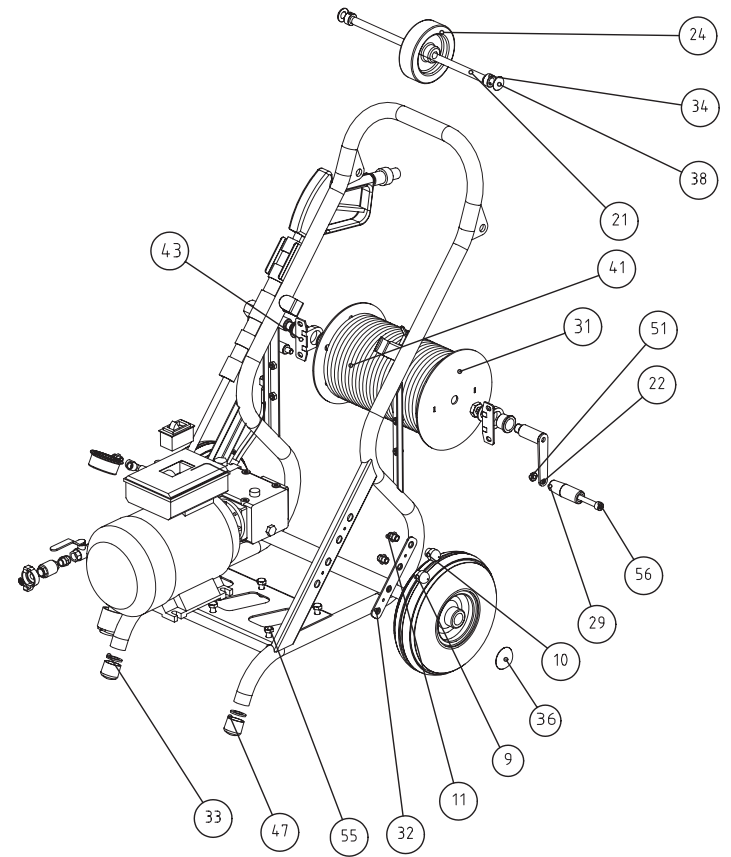
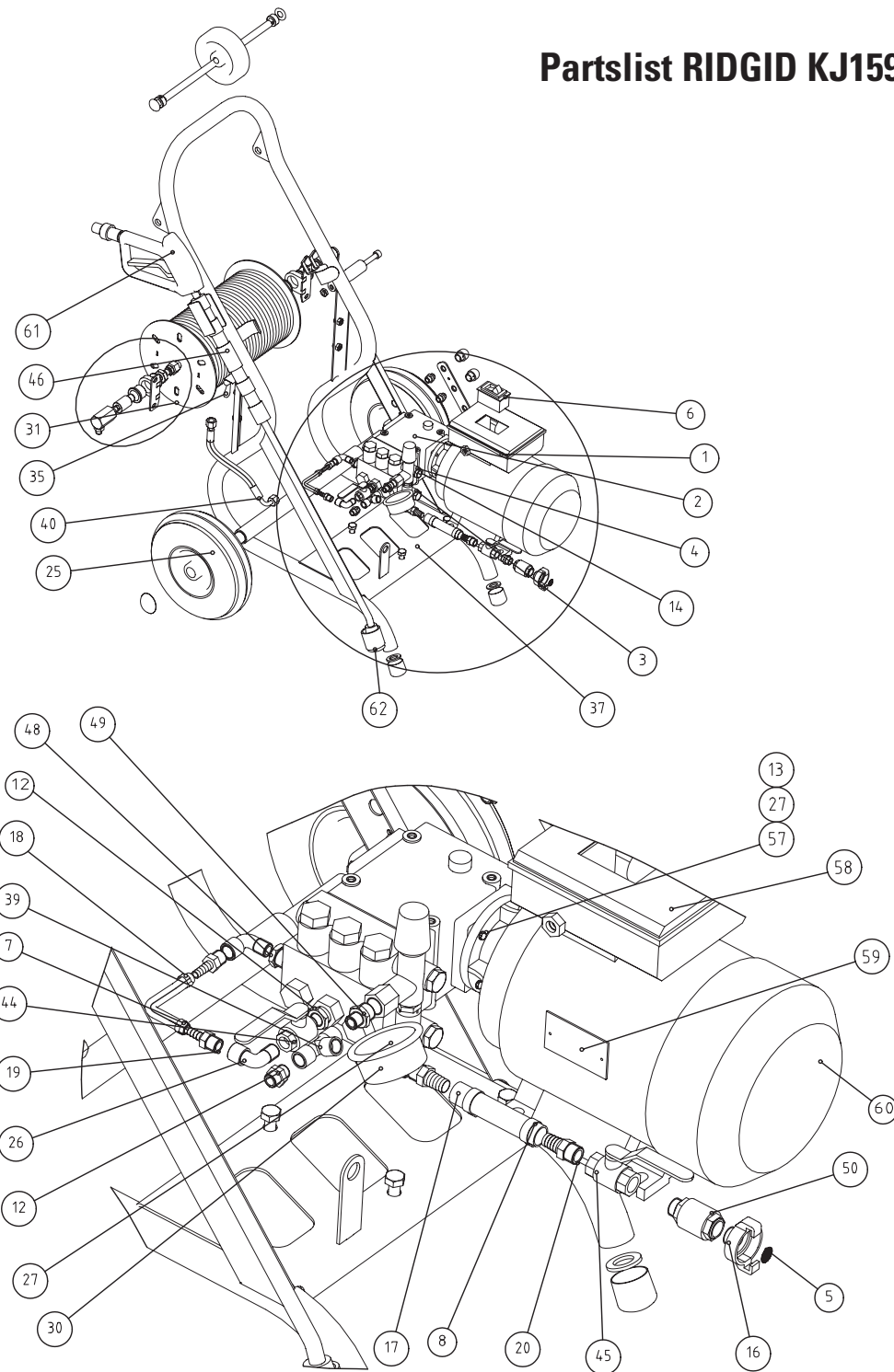


Partlist RIDGID KJ1590 II



Revision 03/10/2005 (1/2)

RIDGID
Tools For The Professional™

Partslist KJ1590 II (2/2)

Part no.	Number Ridgid art.nr.	Description
1	60946	Motor complete
2	71986	H.D.pump NP10/15-140
3	*	Bolt (belongs to Unloader)
4	60936	Unloader ULA-150
5	60896	Strainer
6	60976	Switch assembly
7	88716	Hose
8	88726	Hose Clamp
9	58446	Front nozzle 1/4''
10	58436	Back nozzle 1/4''
11	88736	Messing nipple 1/4" bu
12	88746	Adapter A 04 BM 04 BM
13	61016	4*screw M6x25
14	88756	Locking Cover
15	88766	Shaft
16	60836	Quick conn. Geka 3/8"
17	88776	Suction hose
18	88786	Hose clamp
19	88796	Hose Tail
20	88396	Slangp. 3/8"bu x 13mm tule
21	88406	Shaft of upper wheel
22	88416	Shaft with lever
23	88426	Bearing bushing
24	88436	Wheel assembly
25	88446	Wheel
26	88456	Elbow
27	88866	ELVZ spring washer M6
28	88466	ELVZ 8.8 bolt M8 x 16
29	88476	Handle
30	60926	Manometer
31	88486	Hosereel

Part no.	Number Ridgid art.nr.	Description
32	88496	Nozzle support
33	88506	Washer M18 special
34	88516	Ring 15x25x12
35	88526	Lock-hose reel
36	88536	Starlock for wheel
37	88546	Basic Frame KJ1590 II
38	88556	Starlock for upper wheel
39	88566	T-piece 3x1/4" inw BSP
40	88576	Hose from pump-hosereel
41	87746	Main hose 20m x 1/4''
42	88586	Radial swivel joint
43	88596	Bracket
44	60876	1/4 ball valve type 340
45	88606	Shut-off Valve 3/8"
46	87696	Spraygun single lance (option)
47	88616	Plastic stop
48	88626	Reducing bush
49	88636	Reducing nipple
50	60826	Back Valve 3/8"
51	88646	ELVZ KL.8 bolt M8
52	88656	ELVZ KL.8 bolt M18
53	88666	ELVZ O-ring/2F M8
54	88676	ELVZ O-ring/2F M18
55	88686	ELVZ 8.8 bolt M10 x 30
56	88696	ELVZ 8.8 Tapbout M10 x 80
57	88836	ELVZ Sluitring/2F M6
58	88876	Capacitor BC
59	88706	Typeplate KJ1590 II
60	60986	Conduit box, cover
61	88846	Handle spraygun
62	88856	nozzle spraygun