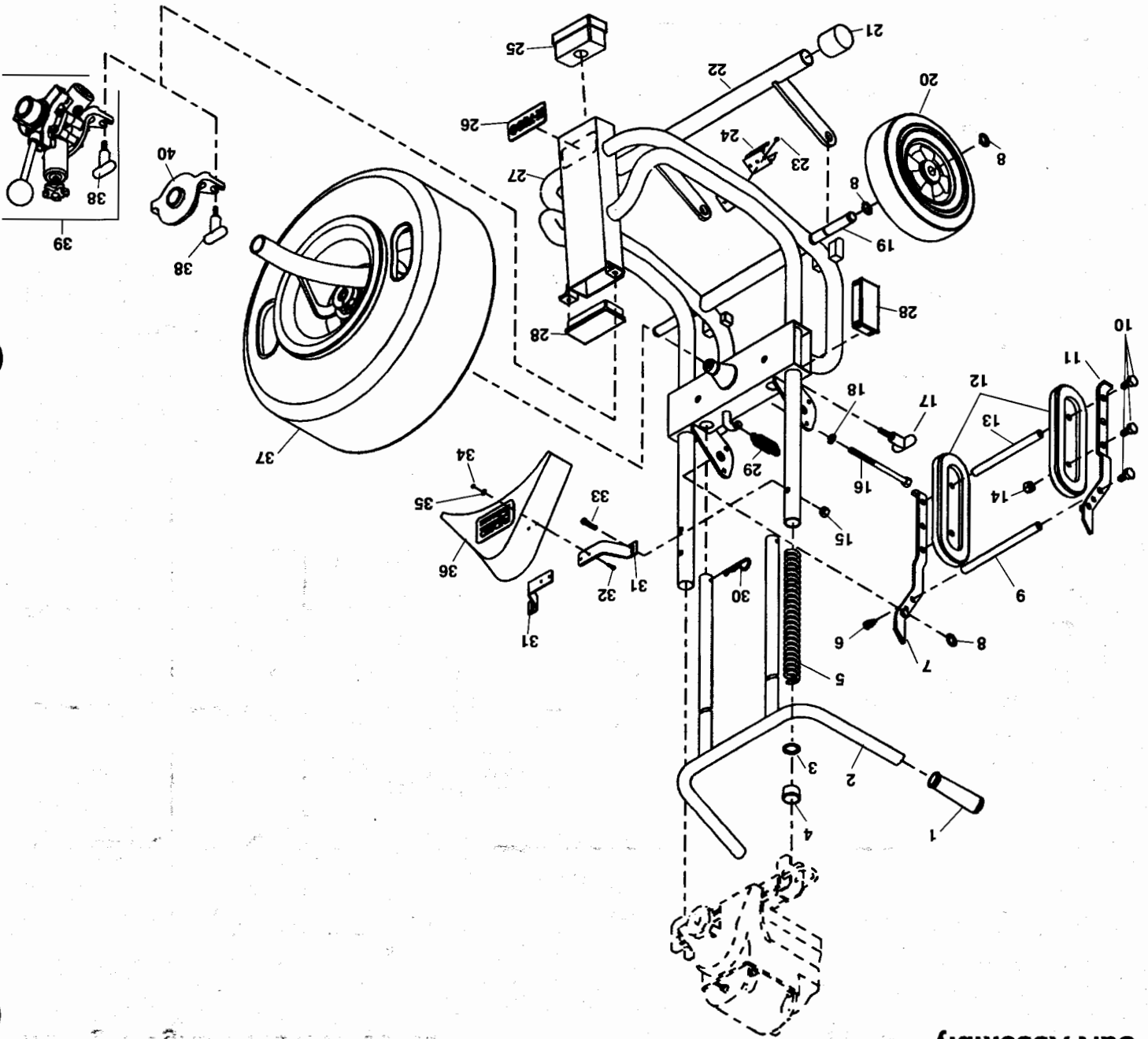


Cart Assembly



NOTE: Order parts by Catalog Number only.
DO NOT order by Reference Number.

Ref. No.	Catalog No.	Description	Ref. No.	Catalog No.	Description	Ref. No.	Catalog No.	Description
1	60827	Hand Grips (2)	15	69010	Nut 1/2" - 20 (2)	1	60827	Hand Grips (2)
2	60587	Handle	16	60617	Bolt 1/2" - 13 x 6"	2	60587	Handle
3	61472	Washer	17	60622	Mounting Knob (2)	3	61472	Washer
4	60422	Cap Plug (2)	18	43942	Lock Washer 1/2"	4	60422	Cap Plug (2)
5	43957	Compression Spring	19	60627	Axle	5	43957	Compression Spring
6	59510	Plunger Pin	20	23602	Wheel (2)	6	59510	Plunger Pin
7	60592	Right Pivot Arm	21	23607	End Cap (2)	7	60592	Right Pivot Arm
8	60050	Retaining Ring (8)	22	60632	Stabilizer	8	60050	Retaining Ring (8)
9	60597	Tie-Spring Bar	23	60637	Self-Tap Screw #6 - 32 (2)	9	60597	Tie-Spring Bar
10	60020	Hex Bolt 1/2" - 13 x 1 1/2" (6)	24	60642	Spring Clip	10	60020	Hex Bolt 1/2" - 13 x 1 1/2" (6)
11	60602	Left Pivot Arm	25	60647	Rest Pad	11	60602	Left Pivot Arm
12	60607	Stairlimber (2)	26	60652	Model Plate	12	60607	Stairlimber (2)
13	60612	Stairlimber Bar	27	60657	Frame	13	60612	Stairlimber Bar
14	78005	Nut 1/2" - 13 (2)	28	60662	Cap Plug	14	78005	Nut 1/2" - 13 (2)
15	69010	Nut 1/2" - 20 (2)	29	60667	Spring	15	69010	Nut 1/2" - 20 (2)
16	60617	Bolt 1/2" - 13 x 6"	30	60677	Cotter Hairpin (2)	16	60617	Bolt 1/2" - 13 x 6"
17	60622	Mounting Knob (2)	31	43967	Guard Bracket (2)	17	60622	Mounting Knob (2)
18	43942	Lock Washer 1/2"	32	43962	Screws #10 - 24 x 3/4" (8)	18	43942	Lock Washer 1/2"
19	60627	Axle	33	43972	Carrage Bolt (2)	19	60627	Axle
20	23602	Wheel (2)	34	87970	Hex Nut #10 - 24 (4)	20	23602	Wheel (2)
21	23607	End Cap (2)	35	61310	Lock Washer #10 (4)	21	23607	End Cap (2)
22	60632	Stabilizer	36	44027	Belt Guard	22	60632	Stabilizer
23	60637	Self-Tap Screw #6 - 32 (2)	37	61107	Drum Assembly w/1/2" Pigtails	23	60637	Self-Tap Screw #6 - 32 (2)
24	60642	Spring Clip	38	60672	Assembly Knob (2)	24	60642	Spring Clip
25	60647	Rest Pad	39	60032	Auto Feed Assembly	25	60647	Rest Pad
26	60652	Model Plate	40	61227	Manual Feed Assembly	26	60652	Model Plate
27	60657	Frame				27	60657	Frame
28	60662	Cap Plug				28	60662	Cap Plug
29	60667	Spring				29	60667	Spring
30	60677	Cotter Hairpin (2)				30	60677	Cotter Hairpin (2)
31	43967	Guard Bracket (2)				31	43967	Guard Bracket (2)
32	43962	Screws #10 - 24 x 3/4" (8)				32	43962	Screws #10 - 24 x 3/4" (8)
33	43972	Carrage Bolt (2)				33	43972	Carrage Bolt (2)
34	87970	Hex Nut #10 - 24 (4)				34	87970	Hex Nut #10 - 24 (4)
35	61310	Lock Washer #10 (4)				35	61310	Lock Washer #10 (4)
36	44027	Belt Guard				36	44027	Belt Guard
37	61107	Drum Assembly w/1/2" Pigtails				37	61107	Drum Assembly w/1/2" Pigtails
38	60672	Assembly Knob (2)				38	60672	Assembly Knob (2)
39	60032	Auto Feed Assembly				39	60032	Auto Feed Assembly
40	61227	Manual Feed Assembly				40	61227	Manual Feed Assembly

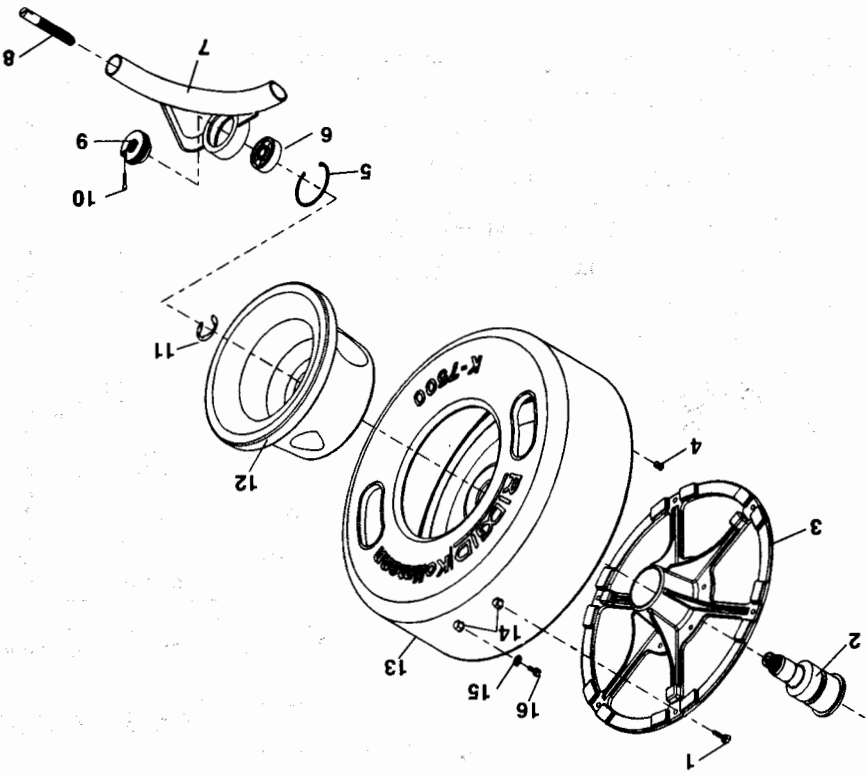
K-7500

RIGID Kollmann Drum Machine

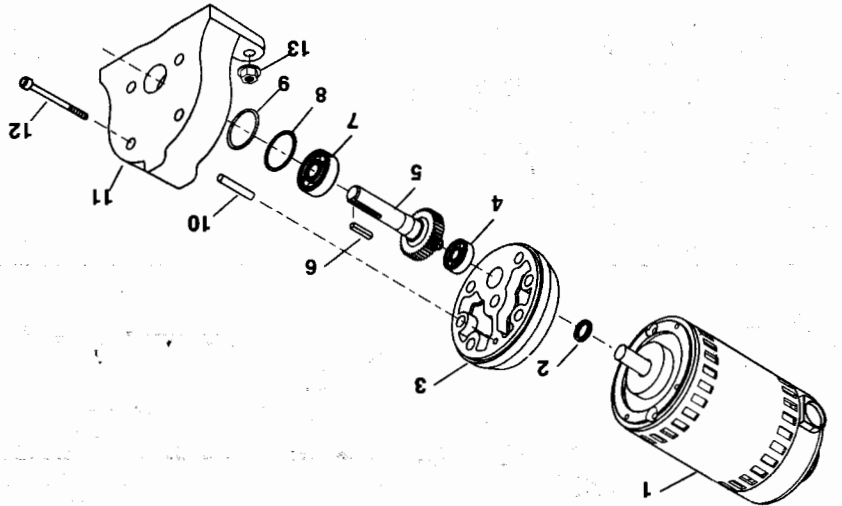
Drum Assembly

NOTE: Order parts by Catalog Number only. DO NOT order by Reference Number.

Ref. No.	Catalog No.	Description
16	60515	Bolt 5/16" - 18 x 1 1/2"
15	35055	Washer
14	27517	Lock Nut 5/16" - 18
13	60577	Outer Drum
12	60572	Inner Drum
11	64042	Retaining Ring
10	40910	Screw
9	60562	Knurled Knob
8	44122	3/8" Pigtail
7	44117	3/8" Pigtail
6	60557	Guide Tube
5	50802	Bearing
4	60552	Retaining Ring
3	60547	Drum Support
2	60537	Drum Shaft
1	44590	Bolt 5/16" - 18 x 1" (9)
—	72582	Drum Assembly w/3/8" Pigtail
—	72587	Drum Assembly w/5/8" Pigtail

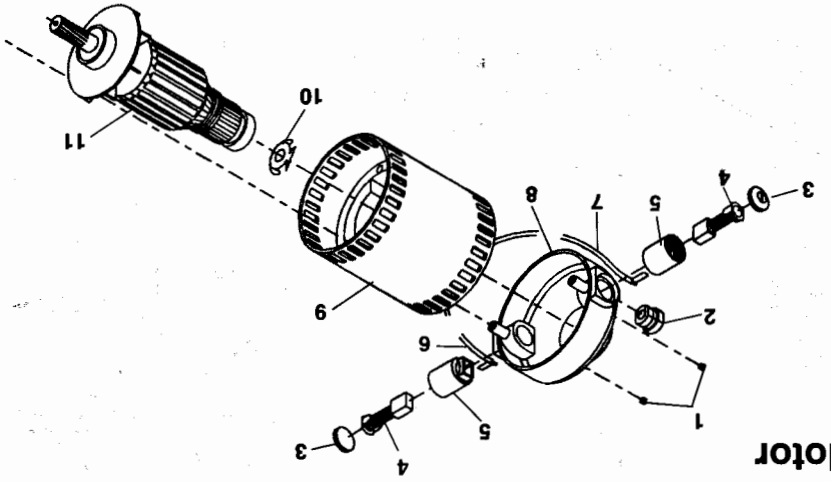


Motor/Gearbox Assembly



Ref. No.	Catalog No.	Description
13	27517	Lock Nut 5/16" - 18"
12	60402	Screw #10-32 x 2 3/4"
11	60397	Front Gear Housing
10	60452	Dowel Pin 3/16" x 1 5/8"
9	61837	O-Ring
8	60427	Wave Spring
7	44565	Bearing
6	60457	Key
5	60432	Main Drive Shaft w/Key
4	44760	Bearing
3	60437	Rear Gear Housing
2	60442	Seal
1	75627	Motor - 230V
—	60447	Motor Only - 115V
—	72582	Motor/Gearbox Assembly - 230V
—	72587	Motor/Gearbox Assembly - 115V

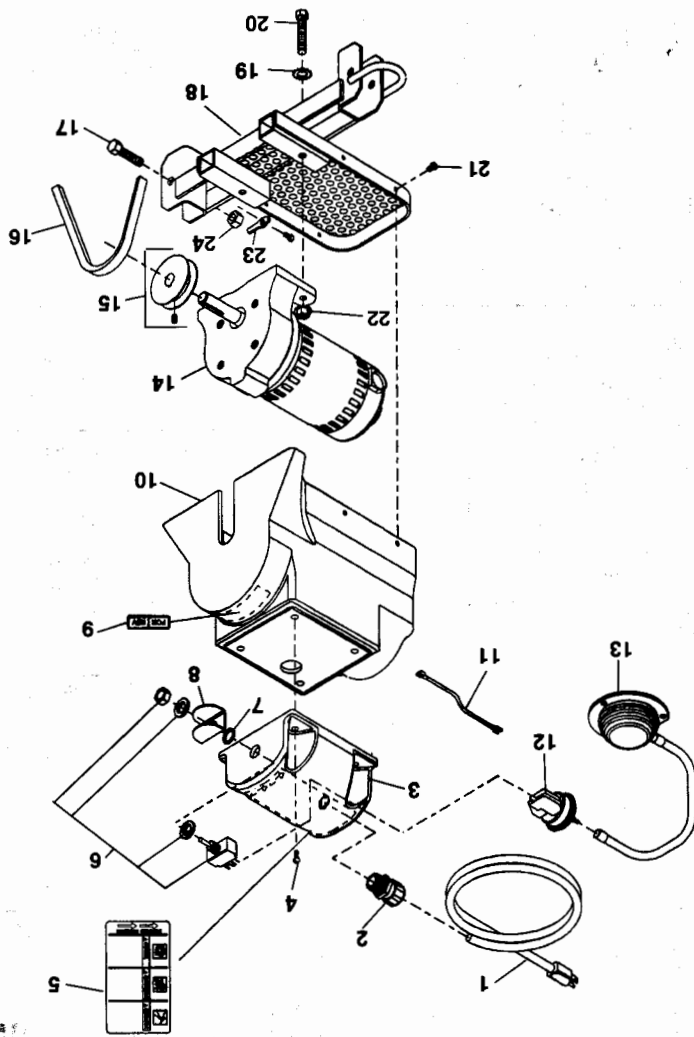
Motor



Ref. No.	Catalog No.	Description
11	72492	Armature w/Bearing (230V)
10	60512	Loading Spring
9	72487	Field w/Housing (230V)
8	60507	Field w/Housing (115V)
7	60522	Rear Housing
6	60487	Red Brush Lead
5	60482	Black Brush Lead
4	60472	Brush Set (230V)
3	72482	Brush Set (115V)
2	60467	Brush Cap Set
1	60492	Brush Holder Screw
—	75627	Motor - 230V
—	75622	Motor - 115V

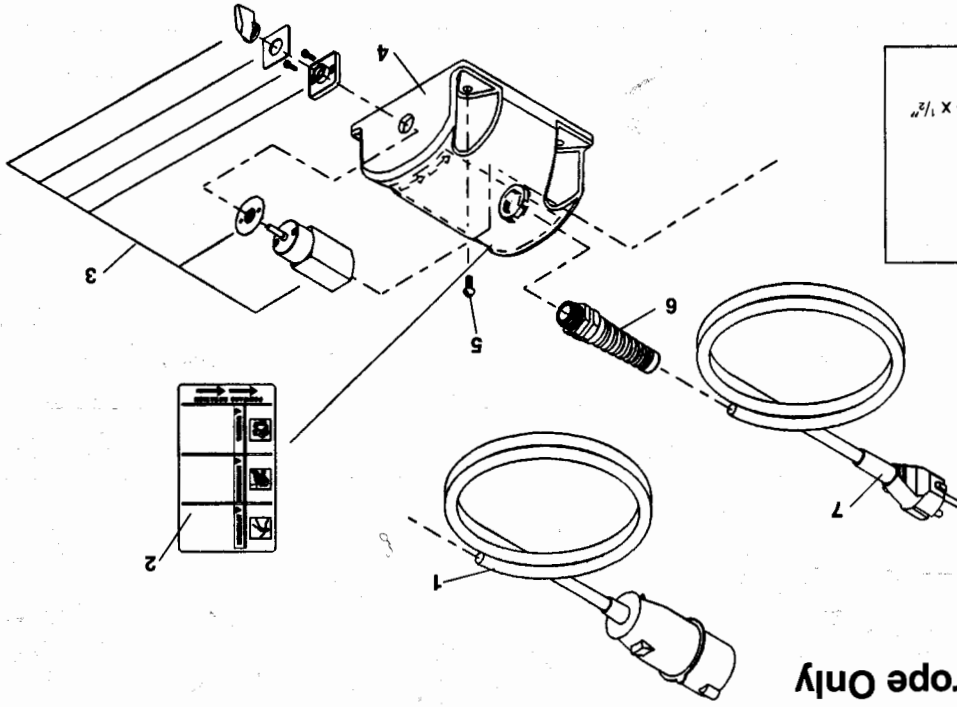
Motor Table

NOTE: Order parts by Catalog Number only.
DO NOT order by Reference Number.



Ref. No.	Description
1	Line Cord w/GFI
2	Switch Cover
3	Strain Relief
4	Screw #10 - 24 x 3/4" (8)
5	Safety Sticker
6	Switch
7	Rubber Washer
8	FOR/REV Label
9	Switch Guard
10	Motor Cover
11	Connecting Wire
12	Air Switch
13	230V Motor/Gearbox Assembly
14	115V Motor/Gearbox Assembly
15	Pulley
16	V-Belt
17	Screw 3/8" - 16 x 2"
18	Motor Table
19	Lock Washer 5/16"
20	Screw 5/16" - 18 x 2 (2)
21	Lock Nut 5/16" - 18 (18)
22	Lock Nut 5/16" - 18 (18)
23	Bonding Braid
24	Lock Nut 3/8"

Electrical Components Europe Only



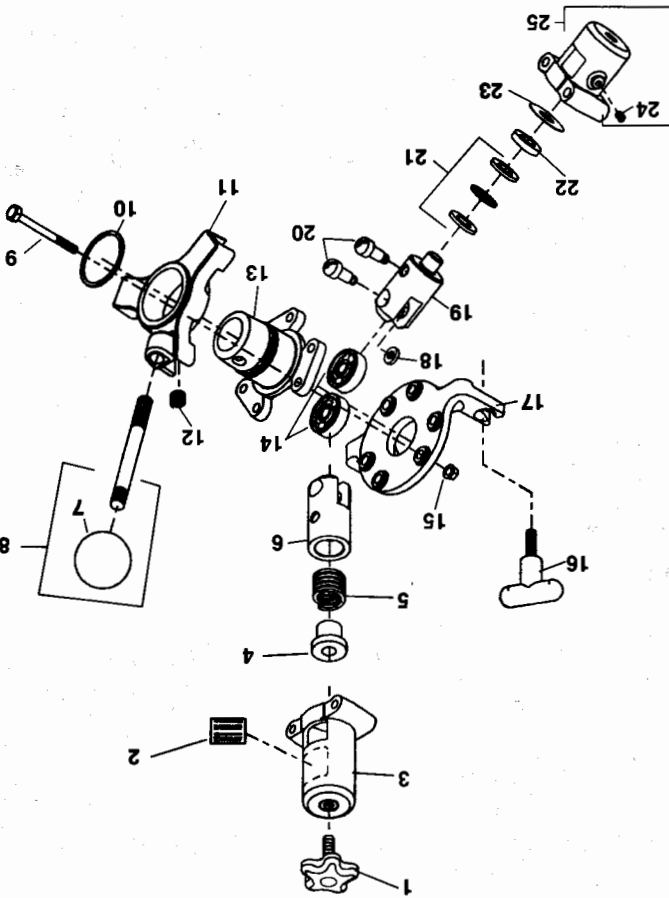
Ref. No.	Description
1	Line Cord 110V Europe
2	Warning Label Europe
3	Switch Rotary
4	Switch Cap - Rotary
5	Round Hd. Scr. #10 - 24 x 1/2"
6	Strain Relief
7	230V Line Cord

Autofeed Assembly

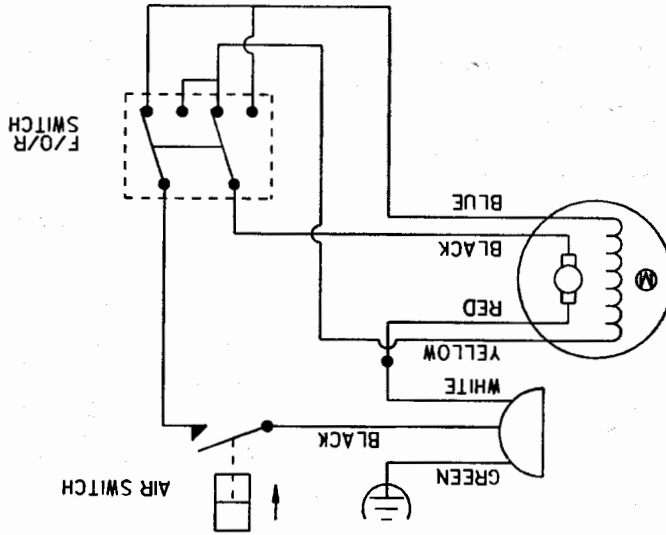
NOTE: Order parts by Catalog Number only.
DO NOT order by Reference Number.

Ref. No.	Catalog No.	Description
1	60682	Feed Knob
2	60762	Advance/Retrive Label
3	60692	Top Roller Housing
4	93475	Ball Holder
5	93375	Spring
6	60707	Movable Roller Holder
7	59585	Knob
8	93630	Clutch Handle Assy. w/Knob
9	60737	Bolt 5/16" - 18 x 3", Hex Head (6)
10	44112	Retaining Ring
11	60742	Actuator
12	60697	Return Spring
13	60747	Front Support Plate
14	60752	Roller Bearing (3)
15	27517	Lock Nut 5/16" - 18 (6)
16	60672	Handle (2)
17	61222	Back Support Plate
18	60717	Bearing Spacer (3)
19	60722	Stationary Roller Housing (2)
20	60732	Actuator Pin (6)
21	68367	Thrust Bearing Assembly (2)
22	68372	Spacer 0.235" (2)
23	68377	Spacer 0.06" (2)
24	89810	Grease Fitting (4)
25	60727	Stationary Roller Housing (2)

† Service Note: Add the 0.06" spacers (Ref. No. 24) to the stationary roller holders (Ref. No. 25) to use the autofeed on 5/8" cable.



Wiring Diagram



European Wiring Diagram

